

TFT Color Fingerprint Time Attendance System of the best cost-performance

MADE IN MALAYSIA

RONALD JACK 4000TIDC



Introduction

RONALD JACK 4000TIDC is one of the intelligent Fingerprint Time Attendance terminal of the best cost-performance. Adopt Latest fingerprint algorithm with high speed operating. Works in both Standalone and network mode, USB flash drive for offline data management. Data encryption improves security. It's easy to connect with serial printer for attendance ticket, professional attendance software for free.

Distinctive Feature



Photo-ID



Workcode



Auto status



T9 input



Optional



SMS



Schedule bell

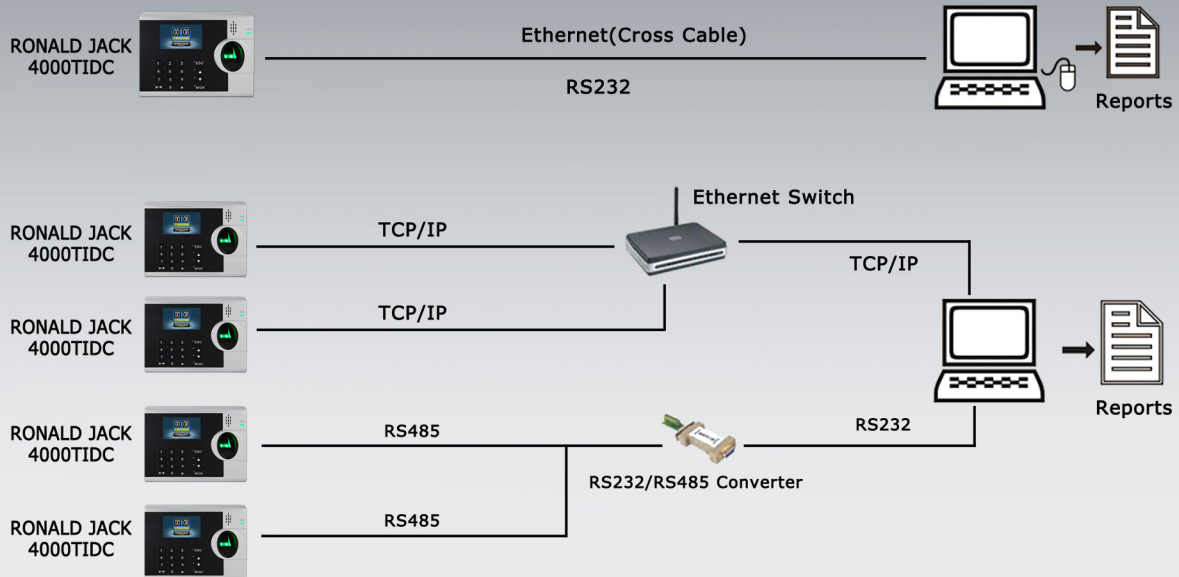


Webserver

Basic Function

- Friendly 3-inch LCD and new UI design
- TCP/IP, RS232/485 and USB host
- Embedded Linux operating system
- Support many language
- Optional: ID/Mifare/HID card
- User role, fingerprint expired date and shortcut key

Working Application



Specification

LCD Display

3" TFT high-definition graphical interface

Speaker

Voice prompt

Capacity

Fingerprint: 3,000 Logs: 100,000

Verification

Verification speed (1:1) $\leq 0.5s$

Identification speed (1:1) $\leq 1s$

Identification

FRR $\leq 0.01\%$ FAR $\leq 0.0001\%$

Attendance status

Check in/out, OT in/out, Break in/out

Power Supply

110/220 VAC-5VDC/1A

Language

English, French, Spanish, Arabic (Many languages can be selected)

Environment

Operation temperature: 0°C-45°C

Operation humidity: 20%-80%

Communications

TCP/IP, RS232/485, USB/Host

Package info.

Machine size: 17.8(L)*14(W)*5(H)cm Unit packing: 28*23*10cm

Carton packing: 50*30*30cm Real weight: 1.1kg Volume weight: 1.5kg

Function support

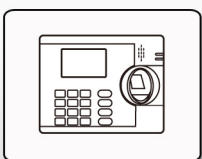
Scheduled bell; Workcode; DST; SMS; Webserver; Auto status

Customize Function

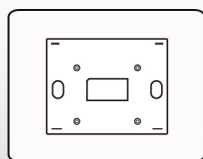
ID / Mifare / HID card reader

Printer output; 9-PIN ID; external bell

Package List



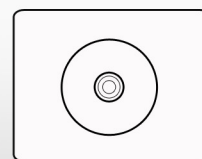
Device



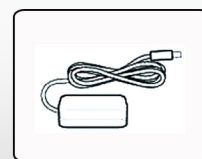
Back Plate



Screws



Software CD



Power Adapter